



IN77A

IN77A

Catalogo parti di ricambio valido
dalla matricola 0000001 (31.10.2006) ad oggi (18.07.2024)

Catalogue pieces detachees
valable à partir du numero de Série n. 0000001 (31.10.2006) jusqu'à aujourd'hui
(18.07.2024)

Ersatzteilkatalog
gültig ab Serien-Nr. 0000001 (31.10.2006) bis heute (18.07.2024)

Spare parts catalogue
valid from serial no. 0000001 (31.10.2006) up today (18.07.2024)

Catálogo de peças de reposição
válido do número de série 0000001 (31.10.2006) até hoje (18.07.2024)

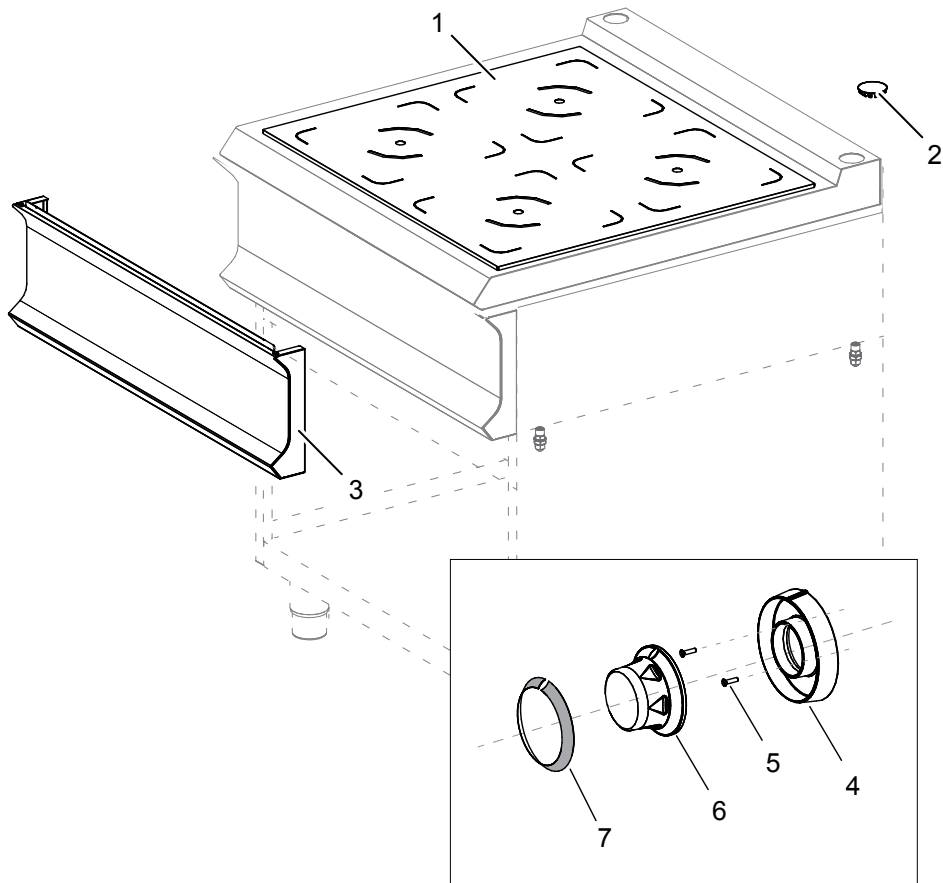
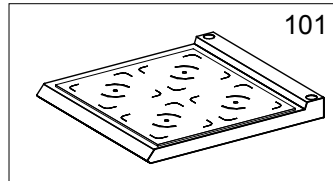
Le informazioni sono considerate non vincolanti. Le immagini rappresentate sono puramente indicative. Il produttore si riserva il diritto di apportare modifiche in qualsiasi momento senza preavviso.

Les informations données ne sont pas contraignantes. Les images montrées sont à titre indicatif. Le producteur se réserve le droit d'apporter des modifications sans préavis.

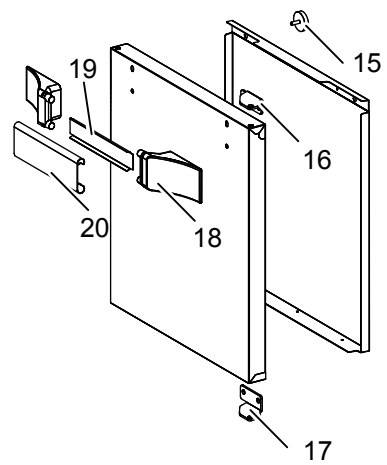
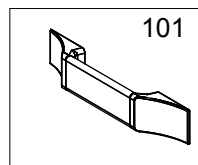
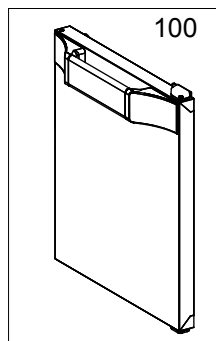
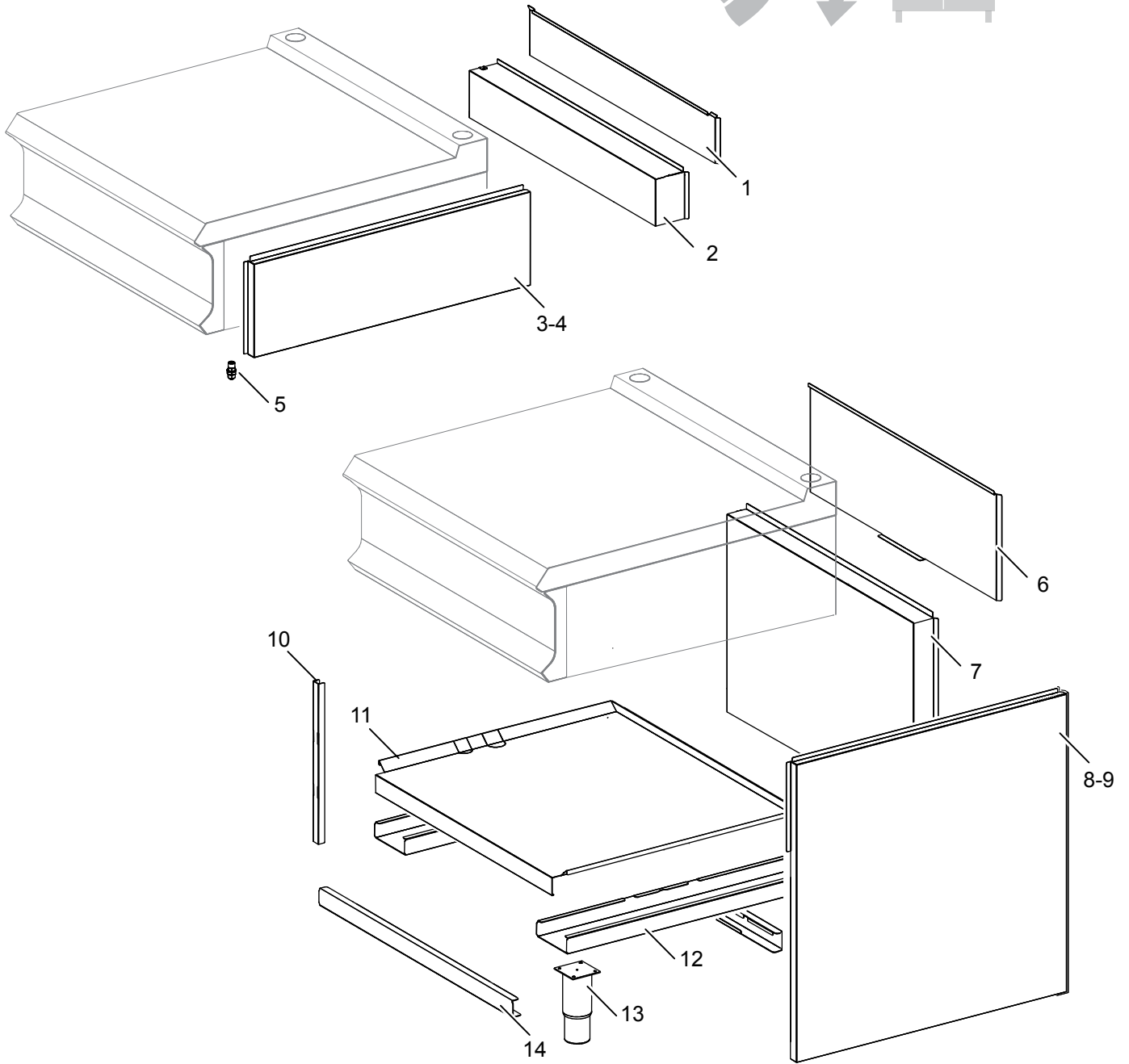
Die im vorliegenden Dokument aufgeführten Informationen und Bilder sind unverbindlich. Der Hersteller behält sich das Recht vor, jederzeit ohne vorherige Ankündigung Änderungen vorzunehmen

Info and drawing could be slightly different from reality and they cannot be considered as compelling. Manufacturer can modify info anytime without forewarning.

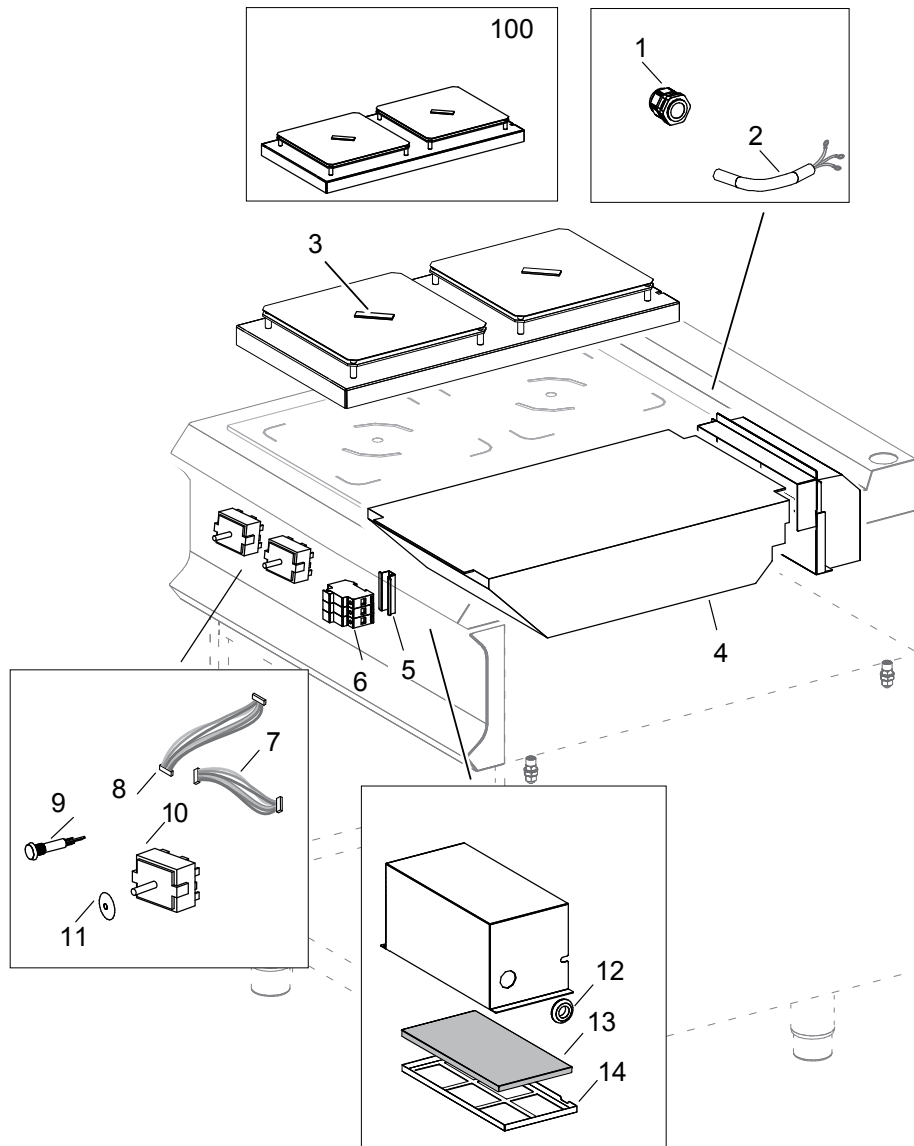
As Informações e desenhos podem estar um pouco diferente da realidade e são puramente indicativas. O fabricante pode modificar estas informações a qualquer momento sem aviso prévio.



Nr.	Code	Title	Recommended	€
1.	200300	<i>INDUCTION GLASS</i>		817,31
2.	200787	<i>STOPPER</i>		6,57
3.	200505	<i>CONTROL PANEL</i>		127,68
4.	200135	<i>KNOB RING</i>		22,47
5.	201660	<i>SCREW M3X10</i>		0,34
6.	200131	<i>ELECTRIC KNOB BODY</i>		31,86
7.	200342	<i>SWITCH RING</i>		24,63
100.	ECS7038	<i>RECOMMENDED PARTS</i>		7.535,18
101.	RIC0004981	<i>TOP GLASS WITH NO WIRING</i>		1.198,20



Nr.	Code	Title	Recommended	€
6.	200042	<i>BACK SIDE TALL</i>		39,92
7.	200041	<i>BACK SIDE INFERIOR</i>		60,16
8.	200031	<i>LATERAL SIDE RIGHT</i>		96,39
9.	200032	<i>LATERAL SIDE LEFT</i>		95,72
10.	200002	<i>HIP REINFORCEMENT</i>		7,61
11.	200040	<i>REMOVABLE LOWER FLOOR</i>		94,39
12.	200030	<i>CROSS FEET</i>		34,72
13.	RTCU700277	<i>FOOT</i>		53,62
14.	200039	<i>FRONT / BACK CROSSPIECE</i>		21,16



Nr.	Code	Title	Recommended	€
1.	RTBF700021	CABLE PRESS WITH NUT		11,57
2.	182733	POWER SUPPLY CABLE		92,95
3.	RIC0003557	SENSOR FOR INDUCTANCE + KAPTON TAPE		364,11
4.	177900	INDUCTION GENERATOR FOUR TRAY	✓	9.270,00
5.	184553	SUPPORT		13,47
6.	182728	FUSE HOLDER	✓	139,60
7.	186393	CONNECTING CABLE POTENTIOMETER	✓	70,84
8.	186392	CONNECTING CABLE POTENTIOMETER/GENERATOR	✓	106,28
9.	186391	CABLE 2 LAMPS LENGTH 0,5MT	✓	248,20
10.	186390	ENCODER	✓	317,34
11.	RTCU800185	GASKET FOR COMMUTATOR ROD	✓	7,47
12.	RTBF800134	CHOCK		12,02
13.	181413	FILTER	✓	7,40
14.	200599	FILTER SUPPORT		26,39